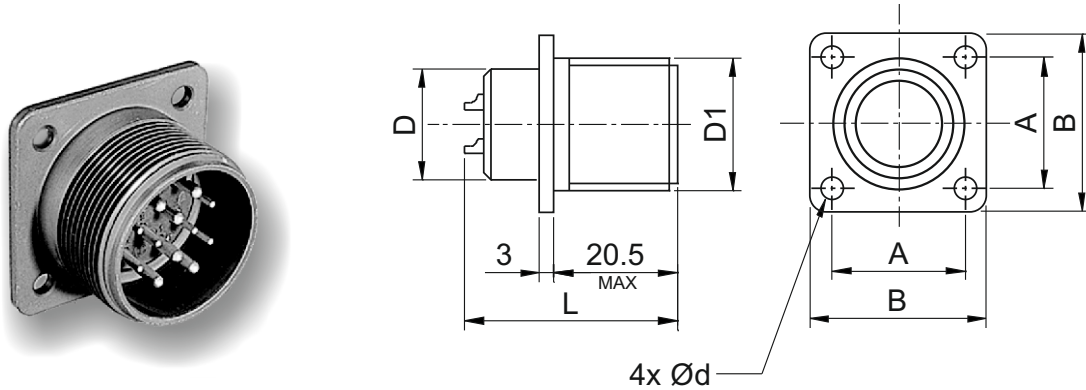


FIXED CONNECTOR WITHOUT BACK SHELL (SLEEVE) TYPE - III P, CIII P (PIN AND SOCKET)

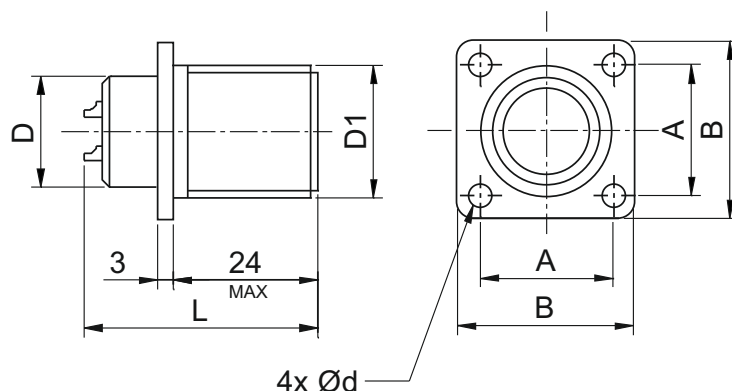
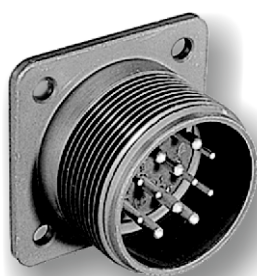


SHELL SIZE	DIMENSIONS mm				
	A	B ^{+1.0} / _{-0.2}	d Ø (REF)	D (REF)	D1
12	16 ± 0.1	22	3.2	12	M16 X 1.5
16	19 ± 0.1	25	3.5	16	M20 X 1.5
20	22 ± 0.1	30	3.5	20	M24 X 1.5
28	30 ± 0.2	38	3.5	28	M33 X 1.5
32	32 ± 0.2	40	3.5	32	M36 X 1.5
36	34 ± 0.2	42	3.5	36	M39 X 1.5
40	40 ± 0.2	48	3.5	40	M45 X 1.5
48	48 ± 0.2	58	4.5	48	M52 X 1.5
55	52 ± 0.2	64	4.5	55	M60 X 1.5
60	54 ± 0.2	68	4.5	60	M64 X 1.5

CONTACT DIMENSIONS mm				
CONTACT DIA.	1.5 & 2.5	3.5	5.5	9
LENGTH MAX.	38	41	42, 43	42, 43

MATERIAL		
SHELL	ALUMINIUM ALLOY CONDUCTIVE OLIVE DRAB. CHROMATE OVER CADMIUM PLATING.	
INSERT	NEOPRENE	
CONTACT	PIN	COPPER ALLOY SILVER PLATED
	SOCKET	COPPER ALLOY SILVER PLATED
SPECIFICATION	ГEO.364.107Т4 / JSS - 50860	

FIXED CONNECTOR WITHOUT BACK SHELL (SLEEVE) TYPE - ЩРГ, СЩРГ

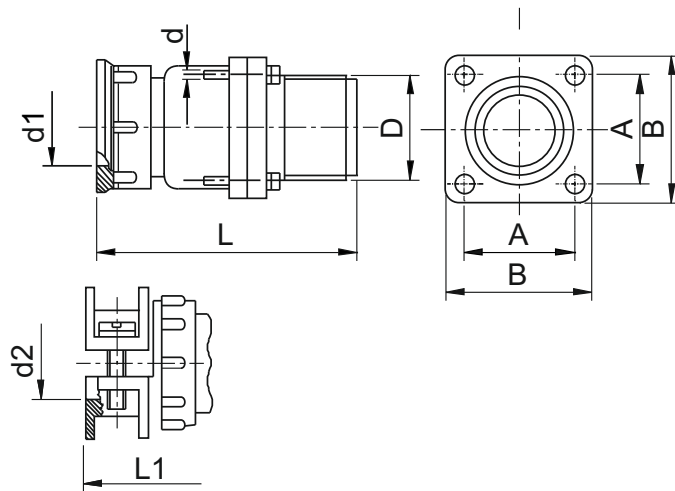
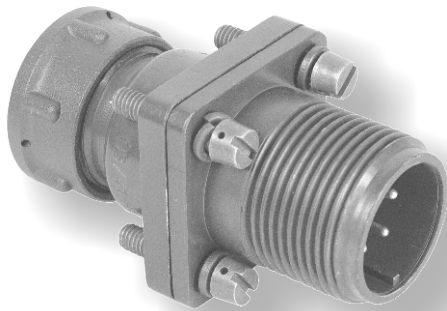


SHELL SIZE	DIMENSIONS mm				
	A	B ^{+1.0} _{-0.2}	d Ø (REF)	D (REF)	D1
12	16 ± 0.1	22	3.5	12	M16 X 1.5
16	19 ± 0.1	26	3.5	16	M20 X 1.5
20	22 ± 0.1	32	4.5	20	M24 X 1.5
28	30 ± 0.2	40	4.5	28	M33 X 1.5
32	32 ± 0.2	44	4.5	32	M36 X 1.5
36	34 ± 0.2	46	4.5	36	M39 X 1.5
40	40 ± 0.2	52	4.5	40	M45 X 1.5
48	48 ± 0.2	60	4.5	48	M52 X 1.5
55	52 ± 0.2	68	4.5	55	M60 X 1.5
60	54 ± 0.2	72	4.5	60	M64 X 1.5

CONTACT DIMENSIONS mm				
CONTACT DIA.	1.5 & 2.5	3.5	5.5	9
LENGTH MAX.	41	43	64	64

MATERIAL		
SHELL	ALUMINIUM ALLOY CONDUCTIVE OLIVE DRAB. CHROMATE OVER CADMIUM PLATING.	
INSERT	NEOPRENE	
CONTACT	PIN	COPPER ALLOY SILVER PLATED
	SOCKET	COPPER ALLOY SILVER PLATED
SPECIFICATION	ГEO.364.108T4 / JSS - 50860	

FIXED CONNECTOR WITH STRAIGHT BACK SHELL (SLEEVE) TYPE - ЩР, СЩР, ЩРГ

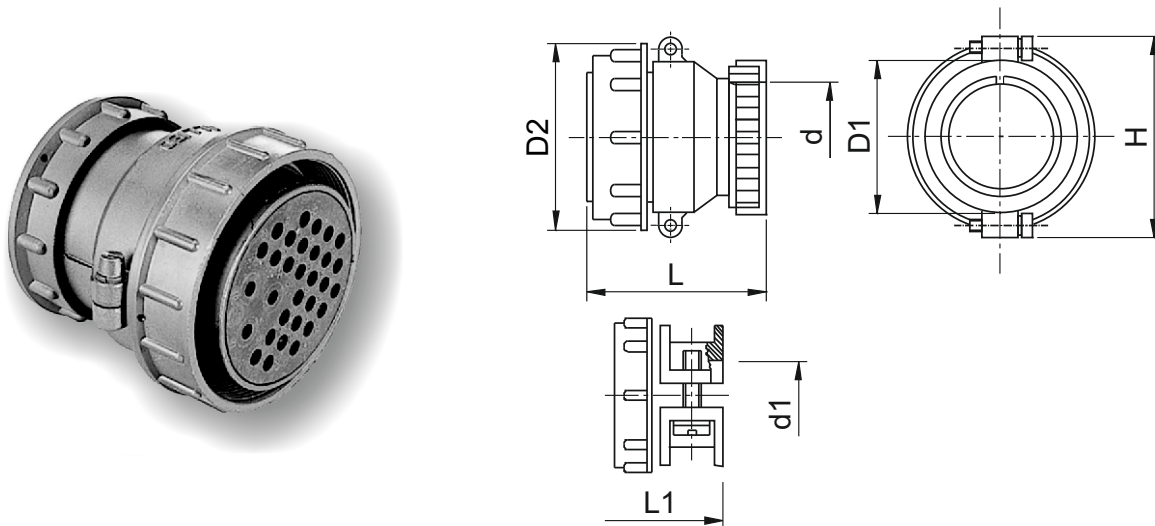


SHELL SIZE	DIMENSIONS mm							
	A	B ^{+1.0} _{-0.2}	D	d	d1 (REF)	d2 (REF)	L(MAX)	L1 (MAX)
12	16 ± 0.1	22	M16 X 1.5	M3	8	5	51	63
16	19 ± 0.1	25 (26)	M20 X 1.5	M3	11	7	51 (55)	61 (65)
20	22 ± 0.1	30 (32)	M24 X 1.5	M3 (M4)	18	14	54 (58)	65 (70)
28	30 ± 0.2	38 (40)	M33 X 1.5	M3 (M4)	25	21	59 (63)	73 (77)
32	32 ± 0.2	40 (44)	M36 X 1.5	M3 (M4)	25	21	63 (67)	77 (81)
36	34 ± 0.2	42 (46)	M39 X 1.5	M3 (M4)	29	23	65 (69)	79 (83)
40	40 ± 0.2	48 (52)	M45 X 1.5	M3 (M4)	32	24	65 (69)	79 (83)
48	48 ± 0.2	58 (60)	M52 X 1.5	M4	36	32	67 (71)	81 (85)
55	52 ± 0.2	64 (68)	M60 X 1.5	M4	46	40	67 (71)	81 (85)
60	54 ± 0.2	68 (72)	M64 X 1.5	M4	50	48	65 (69)	79 (83)

NOTE: DIMENSIONS SHOWN IN THE BRACKET ARE APPLICABLE FOR Y PD

MATERIAL		
SHELL	ALUMINIUM ALLOY CONDUCTIVE OLIVE DRAB. CHROMATE OVER CADMIUM PLATING.	
INSERT	NEOPRENE	
CONTACT	PIN	COPPER ALLOY SILVER PLATED
	SOCKET	COPPER ALLOY SILVER PLATED
SPECIFICATION	ГEO.364.107Т4-108Т4/ JSS - 50860	

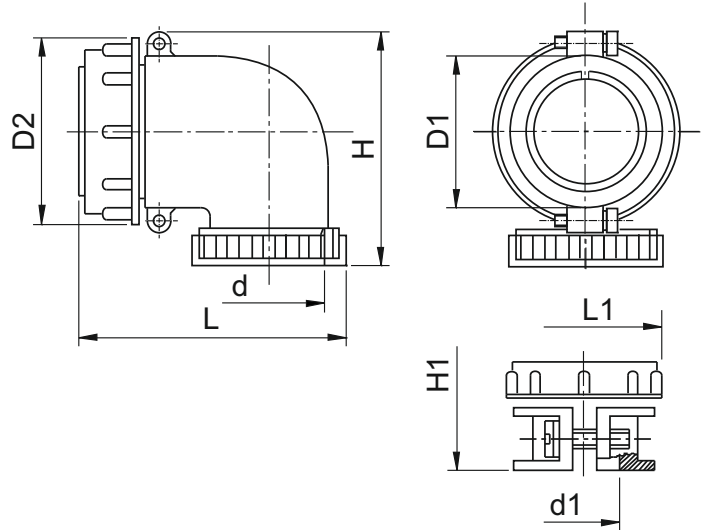
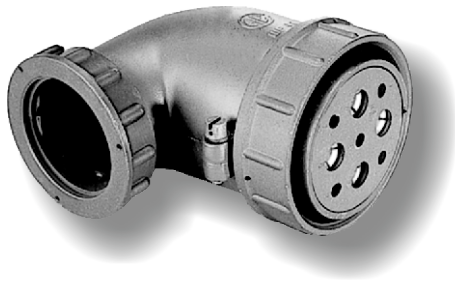
FREE CONNECTOR WITH STRAIGHT SLEEVE (PIN & SOCKET) TYPE - ШР, ШР



SHELL SIZE	DIMENSIONS mm						
	D1	D2 (REF)	d (REF)	d1(REF)	L (MAX)	L1 (MAX)	H (MAX)
12	M16 X 1.5	21.5	8	5	50	62	24.5
16	M20 X 1.5	25.5	11	7	50	60	28.5
20	M24 X 1.5	29.5	18	14	53	64	36
28	M33 X 1.5	38.5	25	21	56	70	48
32	M36 X 1.5	41.5	25	21	58	72	52
36	M39 X 1.5	45.5	29	23	62	76	54
40	M45 X 1.5	52.5	32	24	64	78	60
48	M52 X 1.5	59.5	36	32	66	80	68
55	M60 X 1.5	67.5	46	40	66	80	74
60	M64 X 1.5	72.5	50	48	64	78	80

MATERIAL		
SHELL	ALUMINIUM ALLOY CONDUCTIVE OLIVE DRAB. CHROMATE OVER CADMIUM PLATING.	
INSERT	NEOPRENE	
CONTACT	PIN	COPPER ALLOY SILVER PLATED
	SOCKET	COPPER ALLOY SILVER PLATED
SPECIFICATION	ГЕО.364.107Т4 / JSS - 50860	

FREE CONNECTOR WITH ANGULAR SLEEVE (PIN & SOCKET) TYPE - ШП, СШП



SHELL SIZE	DIMENSIONS mm						
	D1	D2(REF)	d(REF)	d1(REF)	L (MAX)	H (MAX)	H1 (MAX)
12	M16 X 1.5	21.5	8	5	51	39	47
16	M20 X 1.5	25.5	11	7	56	36	50
20	M24 X 1.5	29.5	18	14	64	50	59
28	M33 X 1.5	38.5	25	21	73	62	76
32	M36 X 1.5	41.5	25	21	73	66	80
36	M39 X 1.5	45.5	29	23	76	67	81
40	M45 X 1.5	52.5	32	24	80	72	86
48	M52 X 1.5	59.5	36	32	90	81	95
55	M60 X 1.5	67.5	46	40	98	106	102
60	M64 X 1.5	72.5	50	48	103	94	108

MATERIAL		
SHELL	ALUMINIUM ALLOY CONDUCTIVE OLIVE DRAB. CHROMATE OVER CADMIUM PLATING.	
INSERT	NEOPRENE	
CONTACT	PIN	COPPER ALLOY SILVER PLATED
	SOCKET	COPPER ALLOY SILVER PLATED
SPECIFICATION	ГЕО.364.107Т4 / JSS - 50860	