

Cable Glands With Wide Clamping Range



Cable Glands

UL[®] US CE RoHS[✓]

“Simply Solutions”



Cable Glands

With Wide Clamping Range



Cable gland is a device designed to permit the entry of a cable, flexible cable or insulated conductor into a casting, and which provides sealing and retention. Main usage of cable glands are machine building, plant construction, conveyor technique, apparatus engineering, fittings, power engineering, vehicle construction, railed vehicles, shipbuilding, aero planes, military engineering, electric motors, generators, frequency converters, drive technology, gear units, pumps, ventilators, electric and electronic components, products and devices, junction boxes, industrial enclosures, electric installations and controls, building automation, industrial automation, automation technology, lamps, luminaries, lighting technology.



Metallic Cable Glands

Configuration

Dome nut	Brass CuZn39Pb3, Nickel- Plated
Lamellar Insert	Polyamide PA6 V-2
Sealing Ring	Polychloroprene Nitrile Rubber CR/NBR
Gland Body	Brass CuZn39Pb3, Nickel-Plated
O Ring	Nitrile Rubber NBR
Connecting Thread	Metric and Pg

Properties

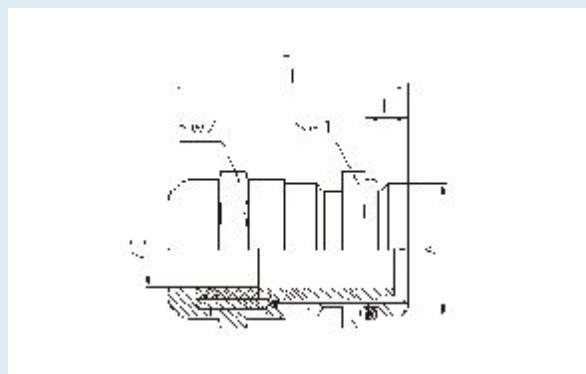
Integrated anchorage, wide sealing and clamping range, easy to install.

Temperature range	-20°C / +100°C
Protection grade	IP 68 - 5 bar (30 min)

Available Sizes

Metric Thread	Pg Thread	Hexagonal Locknuts
M12	Pg7	M12~M63
M16	Pg9	Pg7~Pg48
M20	Pg11	
M25	Pg13.5	
M32	Pg16	
M40	Pg21	
M50	Pg29	
M63	Pg36	
	Pg42	
	Pg48	

Available in standard and long thread length.



Accessories

Screw Plug



Reducer



Enlarger



Adaptors



Venting Elements



EMC Cable Glands

Configuration

Dome nut	Brass CuZn39Pb3, Nickel-Plated
Lamellar Insert	Polyamide PA6 V-2
Sealing Ring	Polychloroprene Nitrile Rubber CR/NBR
Gland Body	Brass CuZn39Pb3, Nickel-Plated
O Ring	Nitrile Rubber NBR
Connecting Thread	Metric

Properties

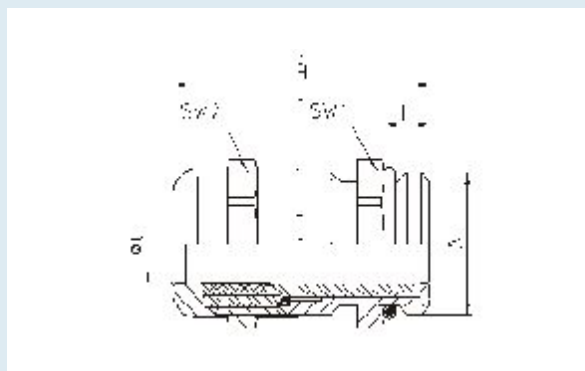
For cables with shielding, integrated anchorage, protection against twisting, wide sealing and clamping range.

Temperature range	-20°C / +100°C
Protection grade	IP 68 - 5 bar (30 min)

Available Sizes

Metric Thread	Hexagonal Locknuts
M12	M12~M63
M16	
M20	
M25	
M32	
M40	
M50	
M63	

Available in standard and long thread length.



Polyamide Cable Glands

Configuration

Dome nut	Polyamide PA6 V-2
Sealing Ring	Polychloroprene- Nitrile rubber CR/NBR
Gland Body	Polyamide PA6 V-2
Connecting Thread	Metric and Pg

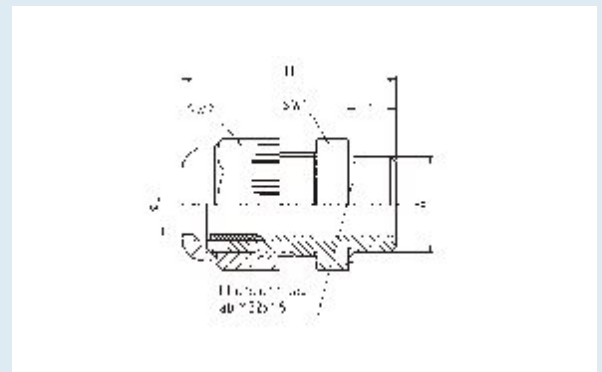
Properties

Integrated anchorage, wide sealing and clamping range, easy to install

Temperature range	-30°C to +100°C
Protection grade	IP 68 - 5 bar (30 min)
Colors	RAL 7001 (Grey), RAL7035 (White), RAL9005 (Black)

Available Sizes

Metric Thread	Pg Thread	Hexagonal Locknuts
M12	Pg7	M12~M63
M16	Pg9	Pg7~Pg48
M20	Pg11	
M25	Pg13.5	
M32	Pg16	
M40	Pg21	
M50	Pg29	
M63	Pg36	
	Pg42	
	Pg48	

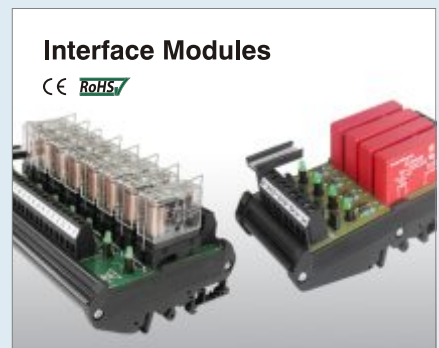
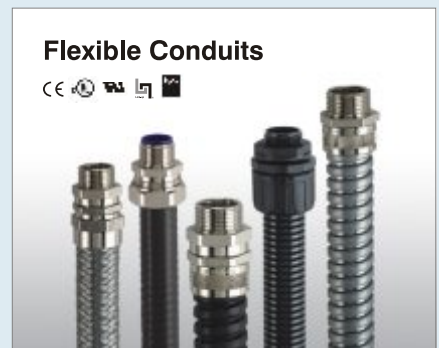


Available in standard and long thread length.

Accessories

<p>Screw Plug</p> 	<p>Reducer</p> 	<p>Enlarger</p> 	<p>Adaptors</p> 	<p>Sealing Grommet</p> 
--	--	---	--	--

Other Product Programs



Trinity Touch Pvt. Ltd.

www.trinitytouch.com

INDIA

D-10, Defence Colony, New Delhi 110024 INDIA
Tel: +91.11.30895900 Fax: +91.11.30895998
E-mail: postmaster@trinitytouch.com

Works & Warehouse

Prithla- Dudhola road, Dudhola Distt. Palwal 121102,
Haryana INDIA
Tel: +91.11.30895900 E-mail: sales@trinitytouch.com



For further enquiry
Call us at:

1800 2000 140

Trinity Touch (EUROPE) Ltd.

www.trinitytouch.co.uk

UK

UNIT-I, Tyson Courtyard, Weldon South Industrial Estate, Corby,
Northants, NN18 8AZ, UK
Tel: +44 (0) 1536 400 641 Fax: +44 (0) 1536 268 043
E-mail: gbsales@trinitytouch.com

