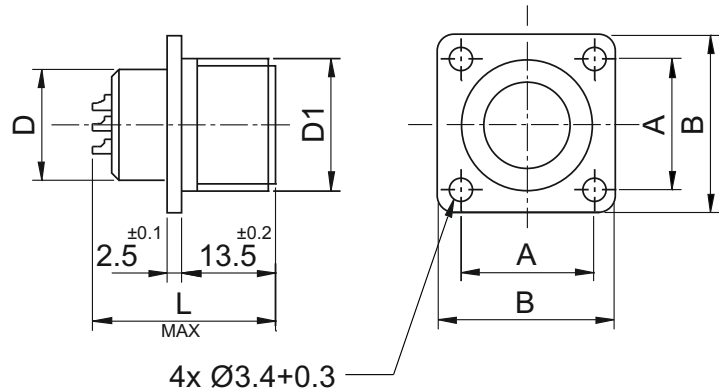
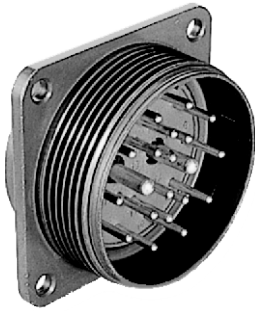


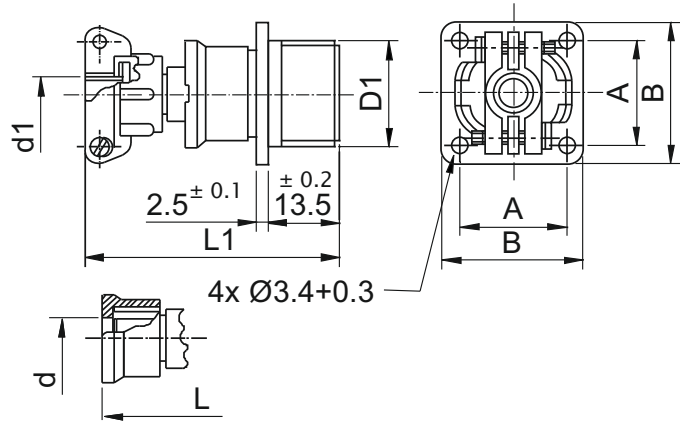
FIXED CONNECTOR WITHOUT SLEEVE (B) TYPE - 2PM, 2PMД, 2PMГ, 2PMГД



SHELL SIZE	DIMENSIONS mm					D(REF)	D1
	A ^{± 0.1}	B ^{+1.0 - 0.2}	L FOR PIN Ø				
			1.0 & 1.5	2.0 & 3.0			
14	17	24	25	27	14	M16 X 1	
18	20	27	25	27	18	M20 X 1	
22	23	30	25	27	22	M24 X 1.5	
24	26	33	25	27	24	M27 X 1.5	
27	29	36	25	27	27	M30 X 1.5	
30	31	38	25	27	30	M33 X 1.5	
33	32	40	25	27	33	M35 X 1.5	
36	35	43	25	27	36	M39 X 1.5	
39	37	46	25	27	39	M45 X 1.5	
42	40	49	25	27	42	M48 X 1.5	
45	43	52	25	27	47	M48 X 1.5	

MATERIAL		
SHELL	ALUMINIUM ALLOY CONDUCTIVE OLIVE DRAB. CHROMATE OVER CADMIUM PLATING.	
INSERT	NEOPRENE	
CONTACT	PIN	COPPER ALLOY SILVER PLATED
	SOCKET	COPPER ALLOY SILVER PLATED
SPECIFICATION	ГEO.364.140ТЧ.126ТЧ / JSS - 50860	

FIXED CONNECTOR WITH STRAIGHT SLEEVE (БПЗ БПН) TYPE - 2PM, 2PMД, 2PMГ, 2PMГД

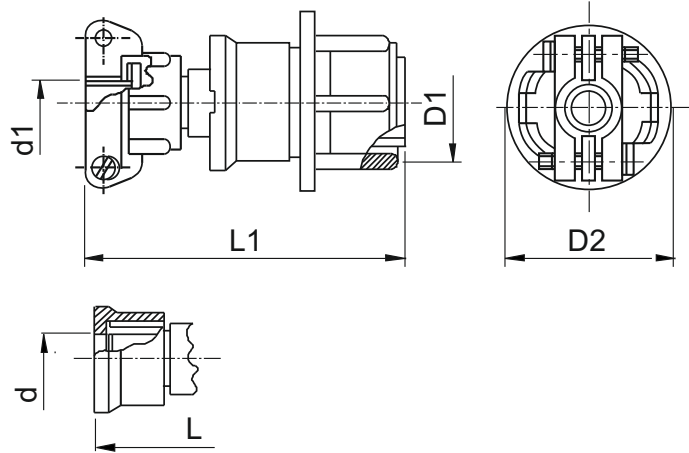
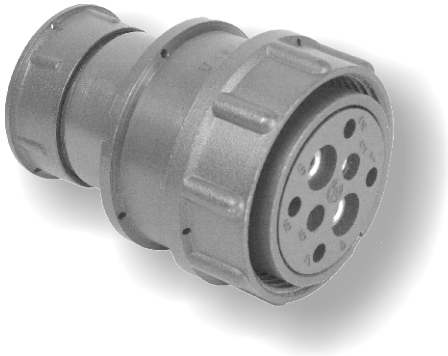


SHELL SIZE	DIMENSIONS mm						
	A ^{± 0.1}	B ^{+1.0 -0.2}	D1	d(REF)	∅ d1(REF)	L (MAX)	L1(MAX)
14	17	24	M16 X 1	6.5	6.5	48	53.5
18	20	27	M20 X 1	10.5	10.5	48	53.5
22	23	30	M24 X 1	14	14.5	48	56
24	26	33	M27 X 1.5	16	16.5	53.5	62.5
27	29	36	M30 X 1.5	18	18.5	53.5	62.5
30	31	38	M33 X 1.5	19	20.5	59	62.5
33	32	40	M36 X 1.5	23	22.5	59	67.5
36	35	43	M39 X 1.5	23	22.5	59	67.5
39	37	46	M42 X 1.5	24	24.5	59	67.5
42	40	49	M45 X 1.5	29	30.5	59	67.5
45	43	52	M48 X 1.5	29	30.5	59	67.5

MATERIAL		
SHELL	ALUMINIUM ALLOY CONDUCTIVE OLIVE DRAB. CHROMATE OVER CADMIUM PLATING.	
INSERT	NEOPRENE / GLASS FIBRE PHENOLIC*	
CONTACT	PIN	COPPER ALLOY SILVER PLATED
	SOCKET	COPPER ALLOY SILVER PLATED
SPECIFICATION	ГEO.364.140Т4.126Т4 / JSS - 50860	

* Consult Factory for availability

FREE CONNECTOR (CABLE MOUNTED) WITH STRAIGHT SLEEVE (КПБ, КПВ) TYPE - 2PM, 2PMД

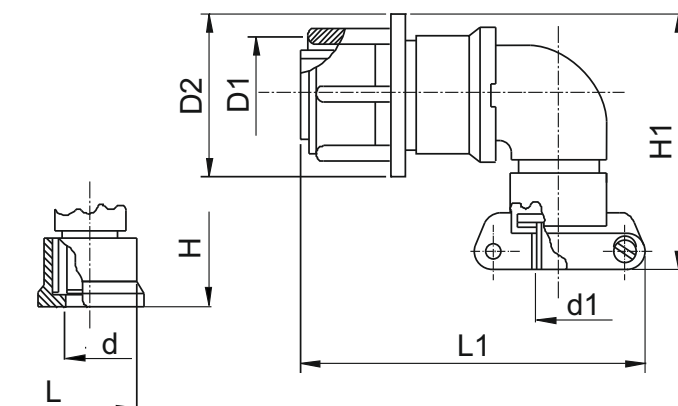
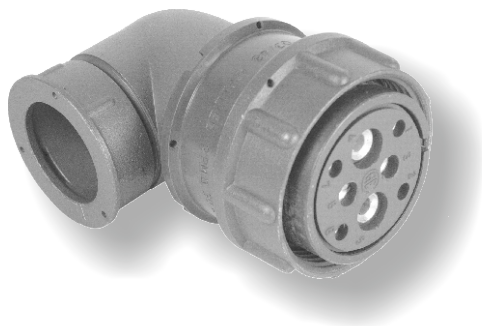


SHELL SIZE	DIMENSIONS mm					
	D1	D2(Ref)	d(REF)	d1(Ref)	L (MAX)	L1 (MAX)
14	M16 X 1	22	6.5	6.5	48	53.5
18	M20 X 1	25	10.5	10.5	48	53.5
22	M24 X 1	29	14	14.5	48	56
24	M27 X 1.5	32	16	16.5	54	62.5
27	M30 X 1.5	35	18	18.5	54	62.5
30	M33 X 1.5	39	19	20.5	54	62.5
33	M36 X 1.5	42	23	22.5	59	67.5
36	M39 X 1.5	45	23	22.5	59	67.5
39	M42 X 1.5	48	24	24.5	59	67.5
42	M45 X 1.5	51	29	30.5	59	67.5
45	M48 X 1.5	54	29	30.5	59	67.5

MATERIAL		
SHELL	ALUMINIUM ALLOY CONDUCTIVE OLIVE DRAB. CHROMATE OVER CADMIUM PLATING.	
INSERT	NEOPRENE / GLASS FIBRE PHENOLIC*	
CONTACT	PIN	COPPER ALLOY SILVER PLATED
	SOCKET	COPPER ALLOY SILVER PLATED
SPECIFICATION	ГEO.364.126Т4 / JSS - 50860	

** Consult Factory for availability*

FREE CONNECTOR (CABLE MOUNTED) WITH ANGULAR SLEEVE (КУЗ, КУН) TYPE - 2PM, 2PMД

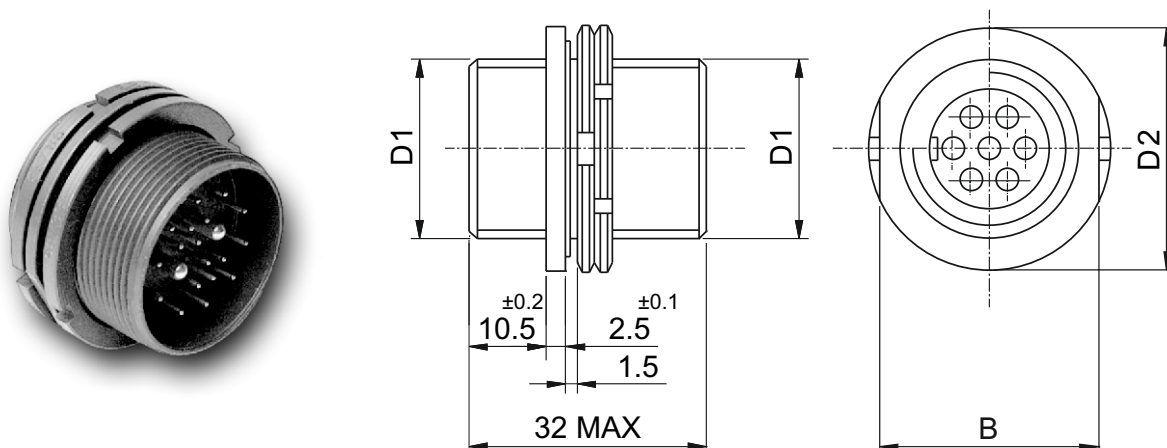


SHELL SIZE	DIMENSIONS mm							
	D1	D2(Ref)	d(REF)	d1(Ref)	H (MAX)	H1(MAX)	L (MAX)	L1(MAX)
14	M16 X 1	22	6.5	6.5	30.8	36.2	48	54
18	M20 X 1	25	10.5	10.5	34.3	40.8	51	58
22	M24 X 1	29	14	14.5	38.3	47.3	56	62
24	M27 X 1.5	32	16	16.5	40.8	50.1	56	64
27	M30 X 1.5	35	18	18.5	43.8	53.1	60	66
30	M33 X 1.5	39	19	20.5	47.8	57.1	62	68
33	M36 X 1.5	42	23	22.5	50.8	60.1	65	71
36	M39 X 1.5	45	23	22.5	53.8	63.1	65	71
39	M42 X 1.5	48	24	24.5	56.8	66.1	68	74
42	M45 X 1.5	51	29	30.5	59.8	69.1	75	81
45	M48 X 1.5	54	29	30.5	62.8	72.1	75	81

MATERIAL

SHELL	ALUMINIUM ALLOY CONDUCTIVE OLIVE DRAB. CHROMATE OVER CADMIUM PLATING.	
INSERT	NEOPRENE	
CONTACT	PIN	COPPER ALLOY SILVER PLATED
	SOCKET	COPPER ALLOY SILVER PLATED
SPECIFICATION	ГЕО.364.126Т4 / JSS - 50860	

FREE CONNECTOR EQUIPMENT MOUNTING FEED THROUGH PINS (2PMГII, 2PMГIIД)



SHELL SIZE	DIMENSIONS mm		
	B (REF)	D1	D2 (REF)
14	22	M16 X 1	25
18	26	M20 X 1	29
22	30	M24 X 1	33
24	33	M27 X 1.5	36
27	36	M30 X 1.5	39
30	39	M33 X 1.5	42
33	42	M36 X 1.5	45
36	45	M39 X 1.5	48
39	48	M42 X 1.5	51
42	51	M45 X 1.5	54
45	54	M48 X 1.5	57

MATERIAL		
SHELL	ALUMINIUM ALLOY CONDUCTIVE OLIVE DRAB. CHROMATE OVER CADMIUM PLATING.	
INSERT	NEOPRENE	
CONTACT	PIN	COPPER ALLOY SILVER PLATED
	SOCKET	COPPER ALLOY SILVER PLATED
SPECIFICATION	ГЕО.364.140Т4 / JSS - 50860	